

US PRODUCT SHEET

# M.B CRYSTAL



Non contractual picture

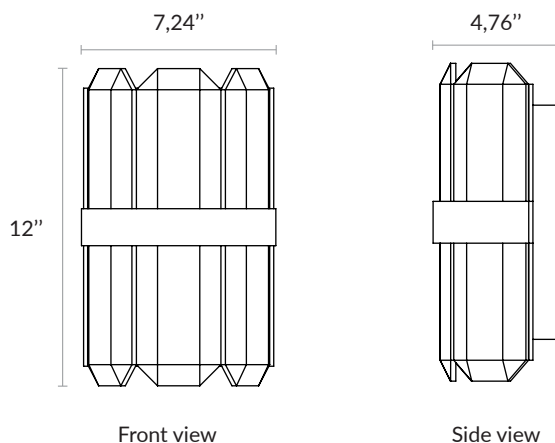
AAE M.B CRYSTAL US FP



Alain Ellouz  
.paris

<b>Type</b>	Wall light Equipped with UL listed components
<b>Environment</b>	Indoor
<b>Material</b>	6 x crystals 5,9" x 4" and brass
<b>Lighting system</b>	LED Strip 2,9W/ft (2700K or 3000K) - 280 lm - Dimmable intensity - Integrated transformer
<b>Voltage</b>	120 V (USA)
<b>Wattage / Lumens</b>	4,6W / 150 lm
<b>References</b>	COL-0574

**Dimensions :**



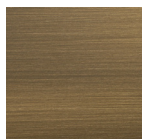
**Weight :**

13,2 lb / 6 Kg

## FINISHES

### Metal plating finish

Included in the price of the luminaire



Antique brass  
ref : dcl-005